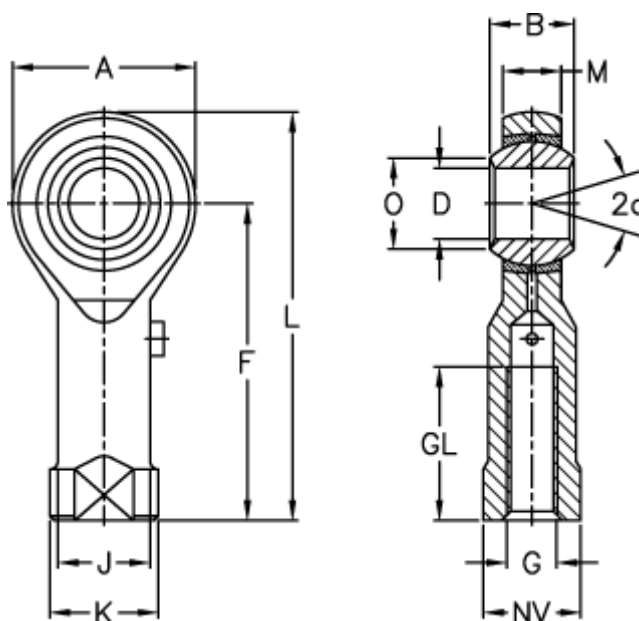


Article number: 5430141615

Description: LDK Rod end PHS 16/F1L
M16x1,5 threaded left

Measures



A	= 38	J	= 22.0
a (degrees)	= 15	K	= 27
B	= 21	L	= 83
D	= 16	M	= 15.00
Dynamic load C (kN)	= 16.0	NV	= 24
F	= 64	O	= 19.30
g	= M16x1,5	Static load C0 (kN)	= 36.0
GL	= 33	Weight (g)	= 210.0